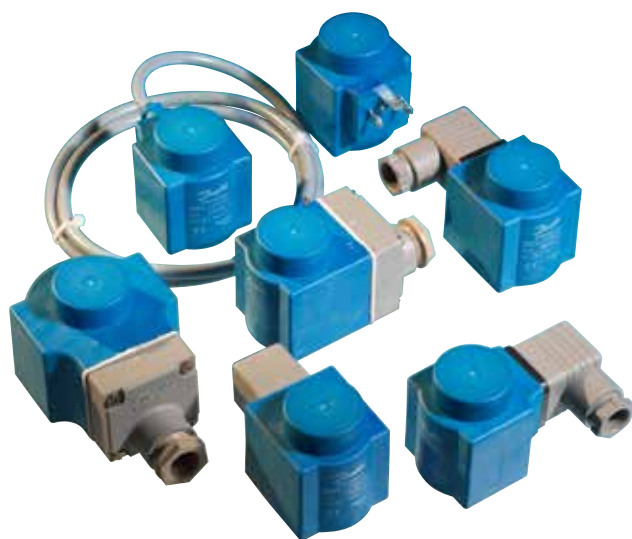


Data sheet

Coils for solenoid valves



Danfoss solenoid valves and coils are usually ordered separately to allow maximum flexibility, enabling you to select a valve and coil combination to best suit your needs. The Danfoss coil program consists of both the easy-to-handle Clip-On system and traditional coils with threaded fastener. Also, with approvals such as EEx/ATEX and UL, we offer a wide range of application specific coils for e.g. steam or hazardous areas.

Features

- Encapsulated coils with long operating life, even under extreme conditions
 - Standard coils for a.c. or d.c.
 - Standard coils from 12 V to 400 V, 50, 60 or 50/60 Hz
 - Coils can be fitted without use of tools
 - Coils can only be removed with use of tools
- Standard coils available with:
 - Cable plugs
 - Industrial plugs
 - Terminal box
 - 3 core cable
 - Junction box
 - Conduit hub

BA, High performance coils



- Ambient temperature: Up to 40 °C / 104 °F
- IP00 version with DIN 43650 A spade connectors
- IP20 version with protective cap
- IP65 version with mounted cable plug

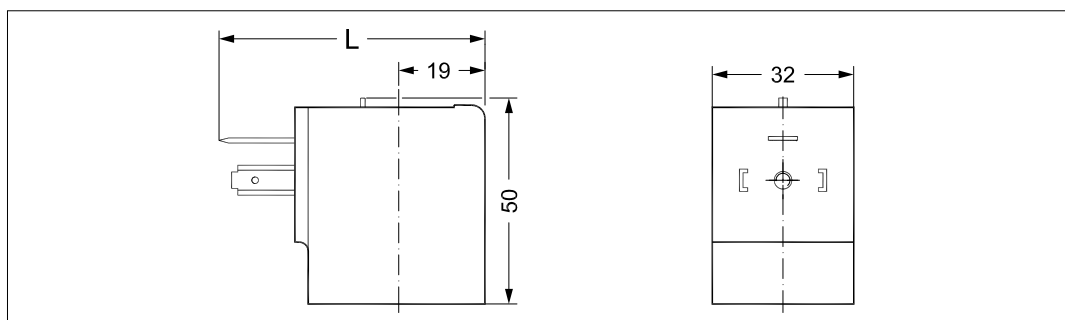
Coil type	Power consumption holding	Supply voltage [V]	Frequency [Hz]	Code no.
BA024A	9 W	24 a.c.	50	042N7508
BA048A	9 W	48 a.c.	50	042N7510
BA115A	9 W	115 a.c.	50	042N7512
BA230A	9 W	220 – 230 a.c.	50	042N7501
BA240A	9 W	240 a.c.	50	042N7502
BA380A	9 W	380 – 400 a.c.	50	042N7504
BA024B	9 W	24 a.c.	60	042N7520
BA115B	9 W	115 a.c.	60	042N7522
BA220B	9 W	220 a.c.	60	042N7523
BA012D	15 W	12 d.c.	d.c.	042N7550
BA024D	15 W	24 d.c.	d.c.	042N7551

Technical data

Design	In accordance with VDE 0580		
Voltage tolerance	220/380 V a.c.	-15%, +10%	
	230/400 V a.c.	-10%, +6%	
	Other a.c. coils with NC valve	-15%, +10%	
	Other a.c. coils with NO valve and all d.c.	± 10%	
Power consumption, cut in	39 VA a.c. coils only		
Insulation of coil windings	Class H according to IEC 85		
Connection	Spade connector in accordance with DIN 43650 form A		
Enclosure, IEC 529	IP00 with spade connec. IP20 with protective cap, IP65 with cable plug		
Ambient temperature	Max. 40 °C / 104 °F		
Duty rating	Continuous		
Plug type	Cable plug		

Dimensions and weight

Type	L without cable plug [mm]	L with protective cap [mm]	L with cable plug [mm]	Weight [kg]
BA	54	71	79	0.16



BD, High performance coils



- Ambient temperature: Up to 40 °C / 104 °F
- IP00 version with DIN 43650 A spade connectors
- IP20 version with protective cap
- IP65 version with mounted cable plug

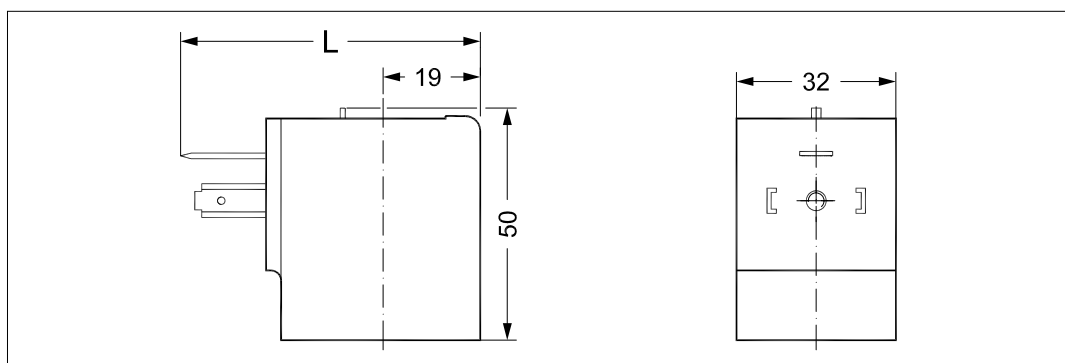
Coil type	Power consumption holding	Supply voltage [V]	Frequency [Hz]	Code no.
BD024A	15 W	24 a.c.	50	042N7597
BD230A	15 W	230 a.c.	50	042N7591

Technical data

Design	In accordance with VDE 0580		
Voltage tolerance	230 V a.c.	-10%, +6%	
	Other a.c. coils with NC valve	-15%, +10%	
	Other a.c. coils with NO valve and all d.c.	± 10%	
Power consumption, cut in	54 VA		
Insulation of coil windings	Class H according to IEC 85		
Connection	Spade connector in accordance with DIN 43650 form A		
Enclosure, IEC 529	IP00 with spade connec. IP20 with protective cap, IP65 with cable plug		
Ambient temperature	Max. 40 °C / 104 °F		
Duty rating	Continuous		
Plug type	Cable plug		

Dimensions and weight

Type	L without cable plug [mm]	L with protective cap [mm]	L with cable plug [mm]	Weight [kg]
BD	54	71	79	0.16



BB, High performance coils



- Ambient temperature: Up to 80 °C / 176 °F
- IP00 version with DIN 43650 A spade connectors
- IP20 version with protective cap
- IP65 version with mounted cable plug

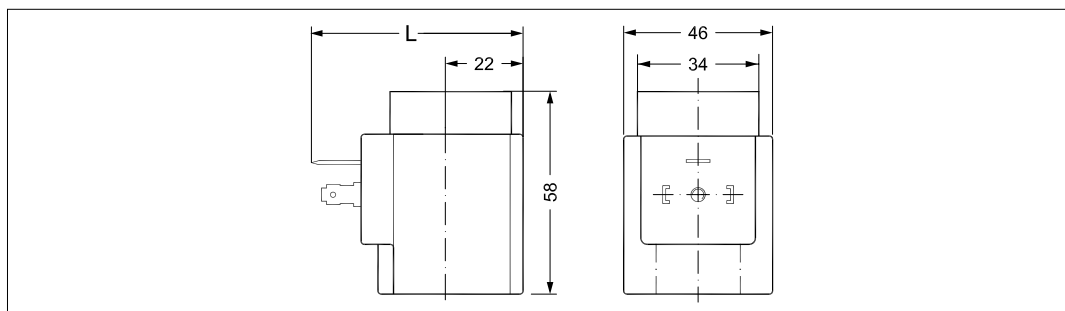
Coil type	Power consumption holding	Supply voltage [V]	Frequency [Hz]	Ambient temperature [°C / °F]	Code no.
BB024AS	10 W	24 a.c.	50	80 / 176	018F7358
BB115AS	10 W	115 a.c.	50	80 / 176	018F7361
BB230AS	10 W	220 – 230 a.c.	50	80 / 176	018F7351
BB240AS	10 W	240 a.c.	50	80 / 176	018F7352
BB380AS	10 W	380 – 400 a.c.	50	80 / 176	018F7353
BB024BS	10 W	24 a.c.	60	80 / 176	018F7365
BB110CS	10 W	110 a.c.	50/60	80 / 176	018F7360
BB230CS	10 W	220 – 230 a.c.	50/60	80 / 176	018F7363
BB012DS	18 W	12 d.c.	d.c.	80 / 176	018F7396
BB024DS	18 W	24 d.c.	d.c.	80 / 176	018F7397

Technical data

Design	In accordance with VDE 0580	
Voltage tolerance	220/380 V a.c.	-15%, +10%
	230/400 V a.c.	-10%, +6%
	Other a.c. coils with NC valve	-15%, +10%
	Other a.c. coils with NO valve and all d.c.	± 10%
Power consumption, cut in	44 VA a.c. coils only	
Insulation of coil windings	Class H according to IEC 85	
Connection	Spade connector in accordance with DIN 43650 form A	
Enclosure, IEC 529	IP00 with spade connec. IP20 with protective cap, IP65 with cable plug	
Ambient temperature	Max. 50 °C / 120 °F / 80 °C / 176 °F	
Duty rating	Continuous	
Plug type	Cable plug	

Dimensions and weight

Type	L without cable plug [mm]	L with protective cap [mm]	L with cable plug [mm]	Weight [kg]
BB	62	77	85	0.24



BE, High performance coils



- Ambient temperature: Up to 80 °C / 176 °F
- IP67 for moist environments with terminal box

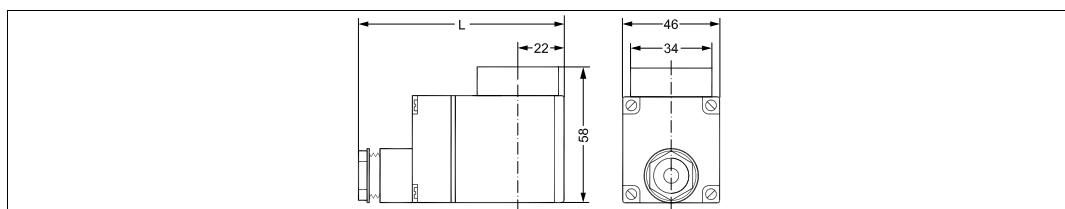
Coil type	Power consumption holding	Supply voltage [V]	Frequency [Hz]	Ambient temperature [°C / °F]	Code no.
BE024AS	10 W	24 a.c.	50	80 / 176	018F6707
BE048AS	10 W	48 a.c.	50	80 / 176	018F6709
BE115AS	10 W	115 a.c.	50	80 / 176	018F6711
BE230AS	10 W	220 – 230 a.c.	50	80 / 176	018F6701
BE240AS	10 W	240 a.c.	50	80 / 176	018F6702
BE380AS	10 W	380 – 400 a.c.	50	80 / 176	018F6703
BE024BS	10 W	24 a.c.	60	80 / 176	018F6715
BE115BS	10 W	115 a.c.	60	80 / 176	018F6710
BE220BS	10 W	220 a.c.	60	80 / 176	018F6714
BE110CS	10 W	110 a.c.	50/60	80 / 176	018F6730
BE230CS	10 W	230 a.c.	50/60	80 / 176	018F6732
BE012DS	18 W	12 d.c.	d.c.	80 / 176	018F6756
BE024DS	18 W	24 d.c.	d.c.	80 / 176	018F6757

Technical data

Design	In accordance with VDE 0580	
Voltage tolerance	220/380 V a.c.	-15%, +10%
	230/400 V a.c.	-10%, +6%
	Other a.c. coils with NC valve	-15%, +10%
	Other a.c. coils with NO valve and all d.c. coils	± 10%
Power consumption, cut in	44 VA a.c. coils only	
Insulation of coil windings	Class H according to IEC 85	
Connection	Terminal box	
Enclosure, IEC 529	IP67	
Ambient temperature	Max. 50 °C / 120 °F / 80 °C / 176 °F	
Duty rating	Continuous	
Plug type	Terminal box	

Dimensions and weight

Type	L with terminal box [mm]	L with 1m cable [mm]	Weight [kg]
BE	94	65	0.30



BF, High performance coils



- Ambient temperature: Up to 80 °C / 176 °F
- IP67 for moist environments with molded-in cable

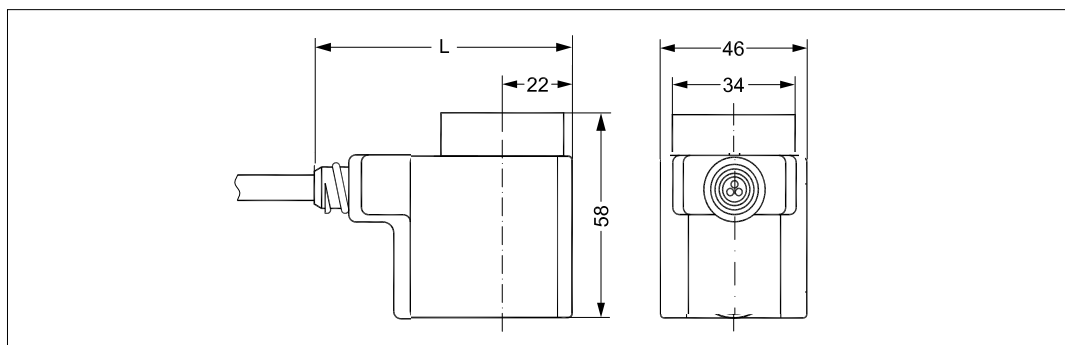
Coil type	Power consumption holding	Supply voltage [V]	Frequency [Hz]	Ambient temperature [°C / °F]	Code no.
BF230AS	10 W	220 – 230 a.c.	50	80 / 176	018F6251
BF240AS	10 W	240 a.c.	50	80 / 176	018F6252
BF400AS	10 W	380 – 400 a.c.	50	80 / 176	018F6253
BF024AS	10 W	24 a.c.	50	80 / 176	018F6257
BF115BS	10 W	115 a.c.	60	80 / 176	018F6260
BF220BS	10 W	220 a.c.	60	80 / 176	018F6264
BF024BS	10 W	24 a.c.	60	80 / 176	018F6265
BF110CS	10 W	110 a.c.	50/60	80 / 176	018F6280
BF230CS	10 W	220 – 230 a.c.	50/60	80 / 176	018F6282

Technical data

Design	In accordance with VDE 0580	
Voltage tolerance	220/380 V a.c.	-15%, +10%
	230/400 V a.c.	-10%, +6%
	Other a.c. coils with NC valve	-15%, +10%
	Other a.c. coils with NO valve and all d.c. coils	± 10%
Power consumption, cut in	44 VA a.c. coils only	
Insulation of coil windings	Class H according to IEC 85	
Connection	1 m 3-core flying lead	
Enclosure, IEC 529	IP67	
Ambient temperature	Max. 50 °C / 120 °F / 80 °C / 176 °F	
Duty rating	Continuous	

Dimensions and weight

Type	L with 1m cable [mm]	Weight [kg]
BF	67	0.30



BG, High performance coils



- Ambient temperature: Up to 80 °C / 176 °F
- IP67 for moist environments with terminal box

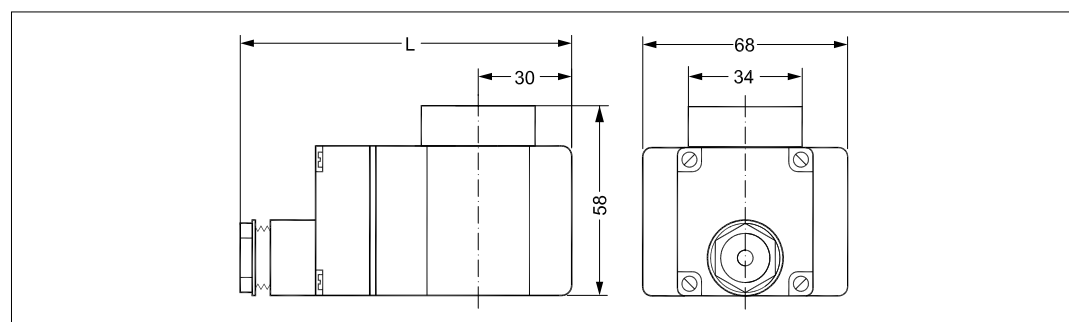
Coil type	Power consumption holding	Supply voltage [V]	Frequency [Hz]	Ambient temperature [°C / °F]	Code no.
BG024AS	12 W	24 a.c.	50	80 / 176	018F6807
BG110AS	12 W	110 a.c.	50	80 / 176	018F6811
BG230AS	12 W	220 – 230 a.c.	50	80 / 176	018F6801
BG240AS	12 W	240 a.c.	50	80 / 176	018F6802
BG380AS	12 W	380 – 400 a.c.	50	80 / 176	018F6803
BG024BS	12 W	24 a.c.	60	80 / 176	018F6815
BG110BS	12 W	110 a.c.	60	80 / 176	018F6813
BG220BS	12 W	220 a.c.	60	80 / 176	018F6814
BG012DS	20 W	12 d.c.	d.c.	50 / 120	018F6856
BG024DS	20 W	24 d.c.	d.c.	50 / 120	018F6857

Technical data

Design	In accordance with VDE 0580	
Voltage tolerance	220/380 V a.c.	-15%, +10%
	230/400 V a.c.	-10%, +6%
	Other a.c. coils with NC valve	-15%, +10%
	Other a.c. coils with NO valve and all d.c. coils	± 10%
Power consumption, cut in	55 VA a.c. coils only	
Insulation of coil windings	Class H according to IEC 85	
Connection	Terminal box	
Enclosure, IEC 529	IP67	
Ambient temperature	Max. 80 °C / 176 °F	
Duty rating	Continuous	
Plug type	Terminal box	

Dimensions and weight

Type	L with terminal box [mm]	Weight [kg]
BG	112	0.50



BN, High performance coils



- Hum-free
- Ambient temperature: Up to 50 °C / 120 °F
- IP67 for moist environments with flying lead

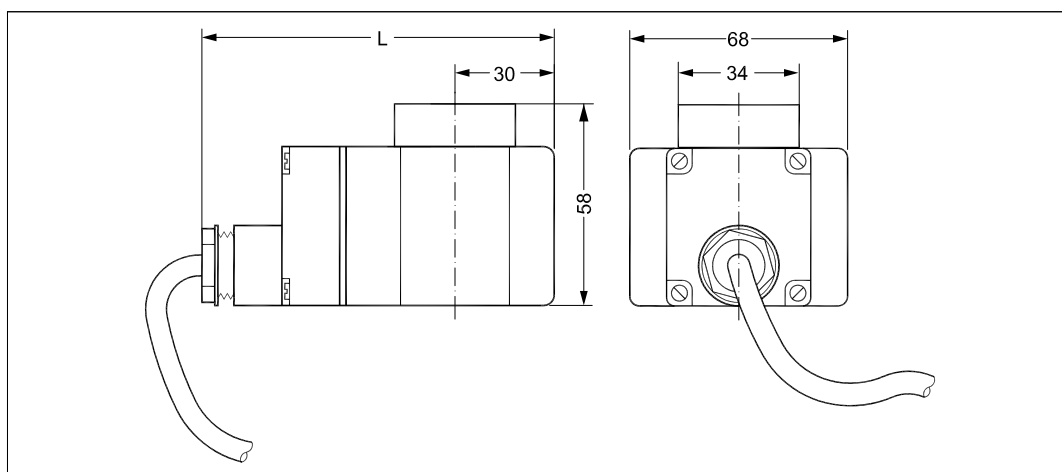
Coil type	Power consumption holding	Supply voltage [V]	Frequency [Hz]	Code no.
BN230CS	20 W	220 - 230 a.c.	50/60	018F7301

Technical data

Design	In accordance with VDE 0580	
Voltage tolerance	220 V a.c.	-15%, +10%
	230 V a.c.	-10%, +6%
Power consumption, cut in	24 VA	
Insulation of coil windings	Class H according to IEC 85	
Connection	1 m 3-core flying lead	
Enclosure, IEC 529	IP67	
Ambient temperature	Max. 50 °C / 120 °F	
Duty rating	Continuous	

Dimensions and weight

Type	L with 1 m cable [mm]	Weight [kg]
BN	112	0.60



BO, High performance coils



- Ambient temperature: Up to 60 °C / 140 °F
- Medium temperature: Up to 90 °C / 194 °F
- IP67 for moist environments with flying lead and seal kit
- With ATEX approval

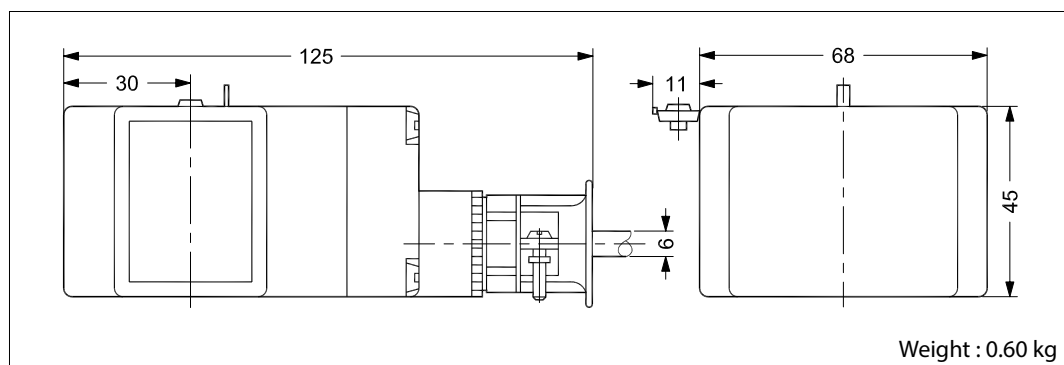
Coil type	Power consumption holding	Supply voltage [V]	Frequency [Hz]	Code no.
BO024C	10 W	24 a.c.	50/60	018Z6595
BO048C	10 W	48 a.c.	50/60	018Z6594
BO110C	10 W	110 a.c.	50/60	018Z6593
BO230C	10 W	230 a.c.	50/60	018Z6592
BO240C	10 W	240 a.c.	50/60	018Z6591
BO024D	10 W	24 d.c.	d.c.	018Z6596

Technical data

Voltage tolerance	± 10%
Insulation of coil windings	Class H according to IEC 85
Connection	5 m 3-core flying lead
Enclosure, IEC 529	IP67
Ambient temperature	Up to 60 °C / 140 °F
Media temperature	Max. 90 °C / 194 °F
Duty rating	Continuous

Description	Application	Code no.
Seal kit	Wet environment	018Z0090

Dimensions and weight



AB coil



- Ambient temperature: Up to 50 °C / 120 °F
- IP00 version with 6.3 x 0.8 mm spade connectors
- IP65 version with mounted industrial plug

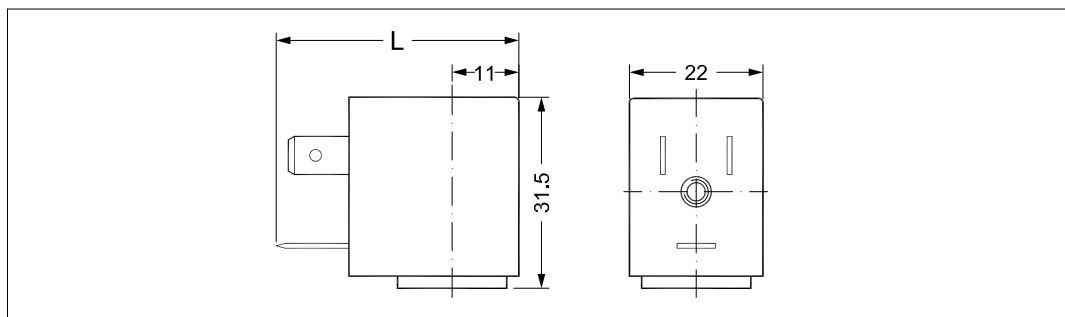
Coil type	Power consumption holding	Supply voltage [V]	Frequency [Hz]	Code no.
AB024C	4.5 W	24 a.c.	50/60	042N0802
AB110C	4.5 W	110 a.c.	50/60	042N0804
AB230C	4.5 W	220 – 230 a.c.	50/60	042N0800
AB240C	4.5 W	240 a.c.	50/60	042N0801
AB012D	5 W	12 d.c.	d.c.	042N0806
AB024D	5 W	24 a.c.	d.c.	042N0803

Technical data

Design	In accordance with VDE 0580
Voltage tolerance	± 10%
Power consumption, cut in	9.5 VA a.c. coils only
Insulation of coil windings	Class H according to IEC 85
Connection	Spade connectors, 6.3 x 0.8 mm
Enclosure, IEC 529	IP00 with spade connector, IP65 with industrial plug
Ambient temperature	Max. 50 °C / 120 °F
Duty rating	Continuous
Plug type	Industrial plug

Dimensions and weight

Type	L without cable plug [mm]	L with cable plug [mm]	Weight [kg]
AB	40	56	0.05



AC coil



- Ambient temperature: Up to 50 °C / 120 °F
- IP00 version with 6.3 x 0.8 mm spade connectors
- IP65 version with mounted industrial plug

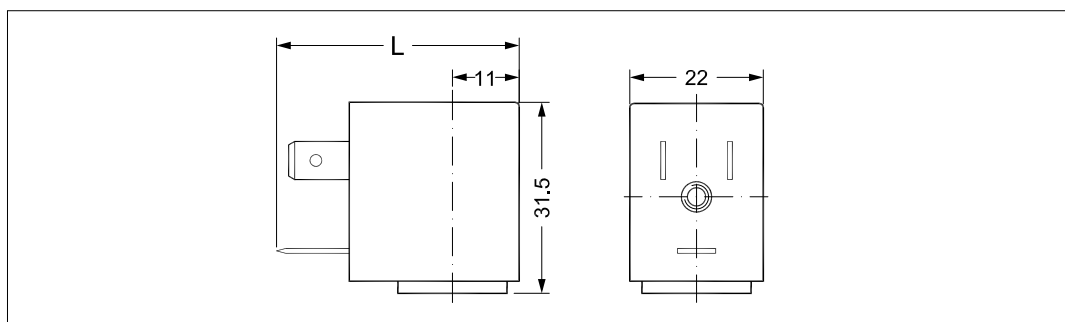
Coil type	Power consumption holding	Supply voltage [V]	Frequency [Hz]	Code no.
AC024C	7 W	24 a.c.	50/60	042N0823
AC110C	7 W	110 a.c.	50/60	042N0825
AC230C	7 W	220 – 230 a.c.	50/60	042N0821
AC240C	7 W	240 a.c.	50/60	042N0822
AC024D	10 W	24 d.c.	d.c.	042N0824

Technical data

Design	In accordance with VDE 0580
Voltage tolerance	± 10%
Power consumption, cut in	16 VA a.c. coils only
Insulation of coil windings	Class H according to IEC 85
Connection	Spade connectors, 6.3 x 0.8 mm
Enclosure, IEC 529	IP00 with spade connector, IP65 with industrial plug
Ambient temperature	Max. 50 °C / 120 °F
Duty rating	Continuous
Plug type	Industrial plug

Dimensions and weight

Type	L without cable plug [mm]	L with cable plug [mm]	Weight [kg]
AC	40	56	0.05



AM coil



- Ambient temperature: Up to 50 °C / 120 °F
- IP00 version with terminals DIN 43650 form A
- IP20 version with protective cap
- IP65 version with mounted cable plug

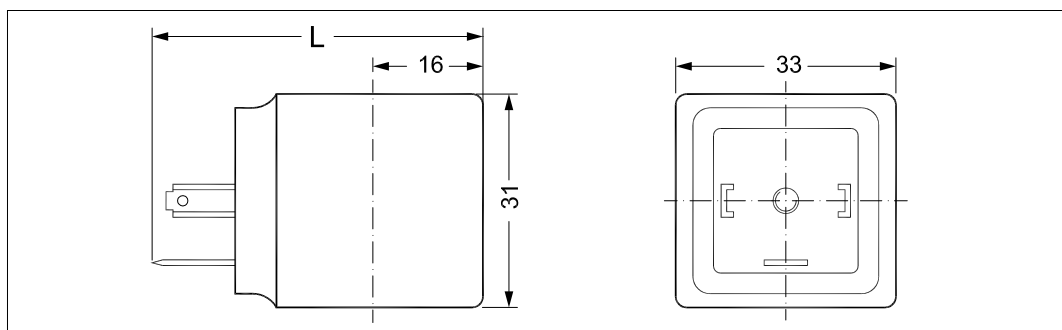
Coil type	Power consumption holding	Supply voltage [V]	Frequency [Hz]	Code no.
AM024C	7.5 W	24 a.c.	50/60	042N0842
AM110C	7.5 W	110 a.c.	50/60	042N0845
AM230C	7.5 W	220 – 230 a.c.	50/60	042N0840
AM240C	7.5 W	240 a.c.	50/60	042N0841
AM012D	9.5 W	12 d.c.	d.c.	042N0848
AM024D	9.5 W	24 d.c.	d.c.	042N0843

Technical data

Design	In accordance with VDE 0580
Voltage tolerance	± 10%
Power consumption, cut in	22.5 VA a.c. coils only
Insulation of coil windings	Class H according to IEC 85
Connection	Spade connector in accordance with DIN 43650 form A
Enclosure, IEC 529	IP00 with spade connector, IP65 with cable plug
Ambient temperature	Max. 50 °C / 120 °F
Duty rating	Continuous
Plug type	Cable plug

Dimensions and weight

Type	L without cable plug [mm]	L with cable plug [mm]	L with protective cap [mm]	Weight [kg]
AM	48	72	64	0.10



AP, Compact UL recognized coils



- Ambient temperature: Up to 50 °C / 122 °F
- IP65 / NEMA2
- For UL recognized valves

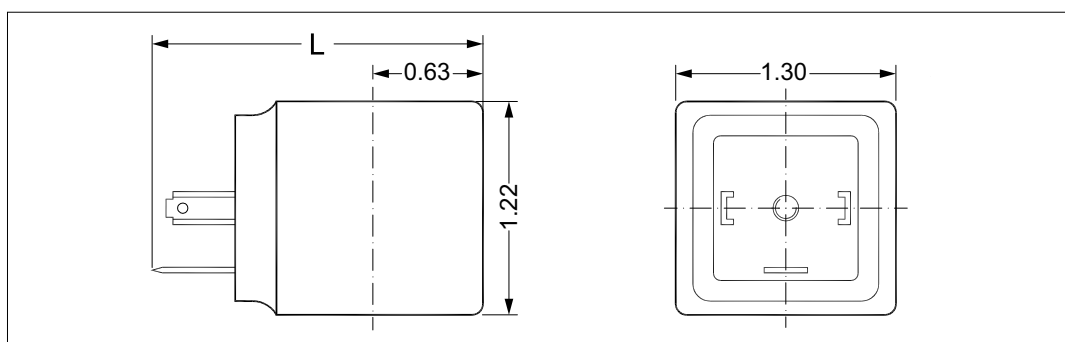
Coil type	Power consumption holding	Supply voltage [V]	Frequency [Hz]	Code no.
AP240B	5 W	208 – 240 a.c.	60	042N4191
AP240B	7 W	230 a.c.	50	042N4191
AP120B	5 W	110 – 120 a.c.	60	042N4192
AP024B	5 W	24 a.c.	60	042N4193

Technical data

Design	In accordance with VDE 0580
Voltage tolerance	± 10%
Power consumption, cut in	15 VA a.c. coils only
Insulation of coil windings	Class H according to IEC 85
Connection	Spade connector in accordance with DIN 43650 form A
Enclosure, IEC 529	IP00 with spade connector, IP65/NEMA2 with cable plug
Ambient temperature	Max. 50 °C / 122 °F
Duty rating	Continuous
Plug type	Cable plug

Dimensions and weight

Type	L without cable plug [in]	L with cable plug [in]	L with protective cap [in]	Weight [kg / lbs]
AP	1.89	2.83	2.52	0.10 / 0.22



BT, High performance coils



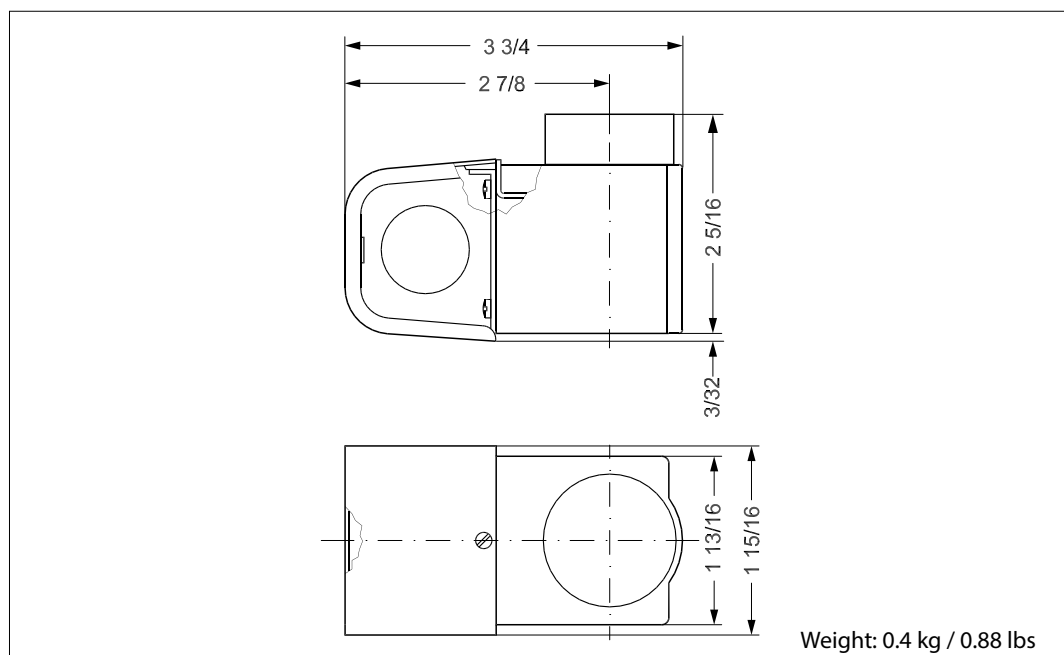
- Ambient temperature: Up to 50 °C / 122 °F
- IP32 / NEMA2 with junction box
- For UL listed valves

Coil type	Power consumption holding	Supply voltage [V]	Frequency [Hz]	Code no.
BT240CS	11 W	208 – 240 a.c.	60	018F7681
BT240CS	14 W	230 a.c.	50	018F7681
BT120CS	14 W	110 a.c.	50/60	018F7682
BT120CS	13 W	120 a.c.	60	018F7682
BT024CS	14 W	24 a.c.	50/60	018F7683

Technical data

Design	In accordance with UL 429	
Voltage tolerance	a.c. coils	-15%, +10%
Power consumption, cut in	49 VA	
Insulation of coil windings	Class H according to IEC 85	
Connection	Junction box	
Enclosure, IEC 529	Junction box NEMA2 ~ IP12-32	
Ambient temperature	-40 – 50 °F / -40 – 122 °F	

Dimensions and weight



BU, High performance coils



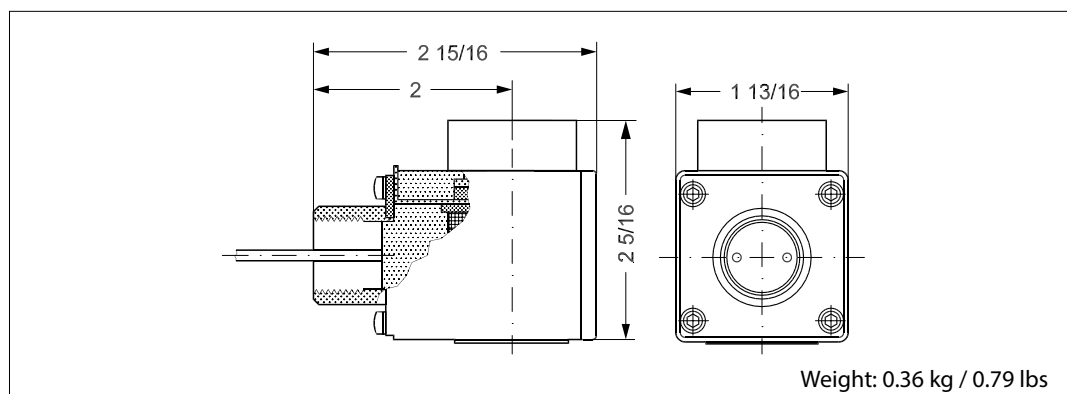
- Ambient temperature: Up to 50 °C / 122 °F
- IP54 / NEMA4 with conduit hub
- For UL listed valves

Coil type	Power consumption holding	Supply voltage [V]	Frequency [Hz]	Code no.
BU240CS	11 W	208 – 240 a.c.	60	018F7691
BU240CS	14 W	230 a.c.	50	018F7691
BU120CS	14 W	120 a.c.	50/60	018F7692
BU120CS	13 W	120 a.c.	60	018F7692
BU024CS	14 W	24 a.c.	50/60	018F7693

Technical data

Design	In accordance with UL 429	
Voltage tolerance	a.c. coils	-15%, +10%
Power consumption, cut in	49 VA	
Insulation of coil windings	Class H according to IEC 85	
Connection	Conduit hub	
Enclosure, IEC 529	Conduit hub NEMA4 ~ IP54	
Ambient temperature	-40 – 50 °F / -40 – 122 °F	

Dimensions and weight



BY, High performance coils



- Ambient temperature: Up to 50 °C / 122 °F
- Up to IP65 / NEMA4
- For UL listed valves

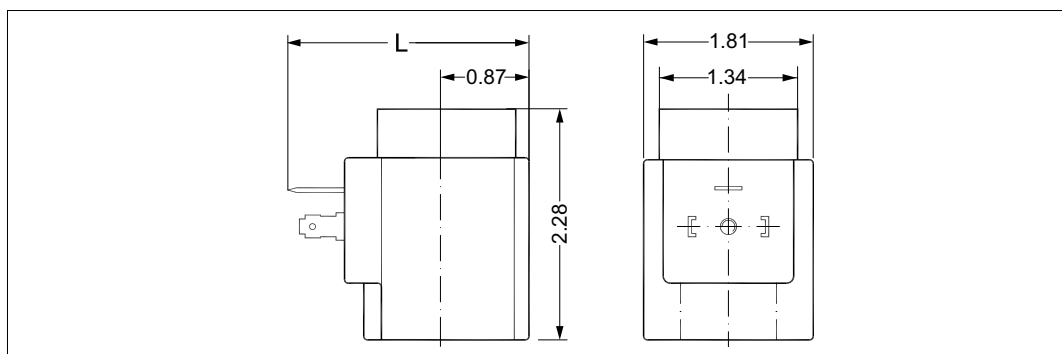
Coil type	Power consumption holding	Supply voltage [V]	Frequency [Hz]	Code no.
BY024CS	14 W	24 a.c.	50/60	018F7655
BY240CS	14 W	208 – 240 a.c.	60	018F7658
BY240CS	14 W	230 a.c.	50	018F7658
BY120CS	14 W	110 a.c.	50/60	018F7663
BY120CS	14 W	120 a.c.	60	018F7663

Technical data

Design	In accordance with UL 429	
Voltage tolerance	a.c. coils	-15%, +10%
Power consumption, cut in	49 VA	
Insulation of coil windings	Class H according to IEC 85	
Connection	Spade connector in accordance with DIN 43650 form A	
Enclosure, IEC 529	Up to IP65 / NEMA4	
Ambient temperature	-40 – 50 °F / -40 – 122 °F	
Plug type	Cable plug	

Dimensions and weight

Type	L without cable plug [in]	L with protective cap [in]	L with cable plug [in]	Weight [kg / lbs]
BY	2.44	3.03	3.35	0.24 / 0.53



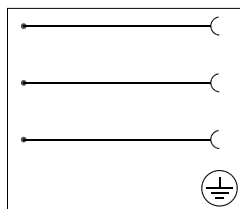
Cable plug



- For use with Danfoss coils type AM, BA, BB, BD and BY
- a.c./d.c. all voltages up to 250 V
- Enclosure: Up to IP65
- Ambient temperature: Up to 90 °C / 194 °F

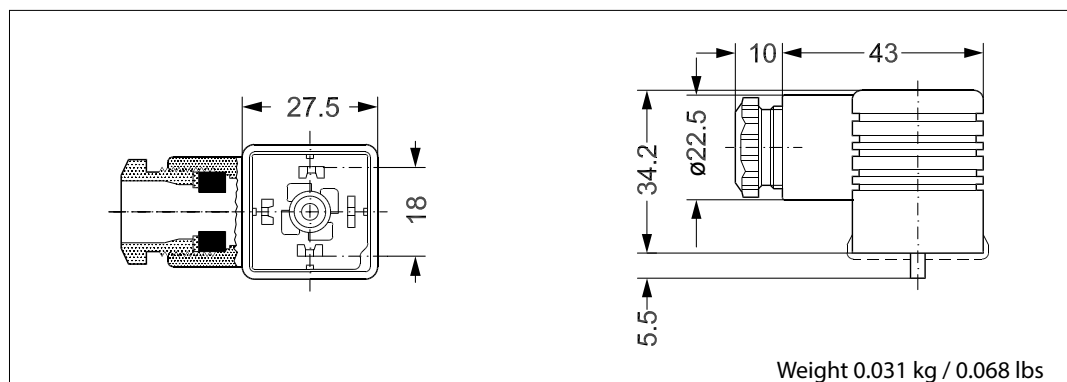
Cable plug size	Description	Suitable for coil types	Code no.
DIN 18	Cable plug according to DIN 43650-A PG 11	AM, BA, BB, BD, BY	042N0156

Technical data



Type	GDM 2011 J (Gray)	
Design	DIN 43650-A	
Cable gland	PG 11	
Poles	2 + PE	
Max. voltage	250 V a.c./d.c.	
Approvals	cULus CSA, VDE	
Protection class	IP65 (IEC 60529)	
Max. operating current	16 A	
Contact resistance	< 10m Ω	
Cable diameter	ø 4.5 – 11 mm	
Wire cross section	Max. 1.5 mm ²	
Ambient temperature	-30 – 90 °C / -22 – 194 °F	
Materials	Contacts:	CuSn (Tin plated)
	Terminal block:	PA 6 GF
	Profiled gasket:	NBR
	Housing:	PA 6 GF

Dimensions and weight



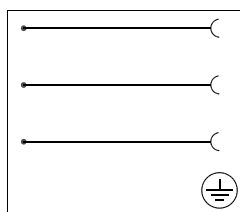
Cable plug



- For use with Danfoss coils type AM, BA, BB, BD and BY
- a.c./d.c. all voltages up to 250 V
- Enclosure: Up to IP65
- Ambient temperature: Up to 80 °C / 176 °F

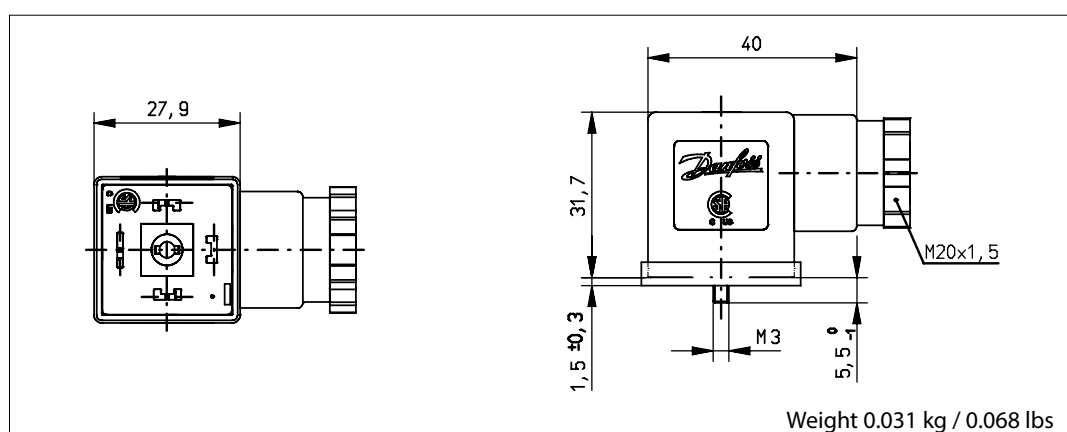
Cable plug size	Description	Suitable for coil types	Code no.
DIN 18	Cable plug with form A	AM, BA, BB, BD, BY	042N0178

Technical data



Design	EN 175301-803 Form A	
Cable gland	PG 11	
Poles	2 + PE	
Max. voltage	250 V a.c./d.c.	
Approvals		
Protection class	IP65	
Max. operating current	16 A	
Contact resistance	< 4m Ω	
Cable diameter	ø6 – 8 / 8 – 10 mm	
Wire cross section	Max. 1.5 mm ²	
Ambient temperature	-25 – 80 °C / -13 – 176 °F	
Materials	Contacts:	CuZn, Cu/Sn - plated
	Terminal block:	PA 6 GF
	Profiled gasket:	NBR
	Housing:	PA 6 GF

Dimensions and weight



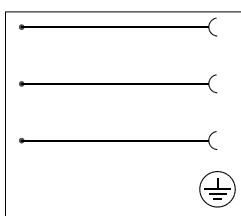
Industrial plug



- For use with Danfoss coils type AB and AC
- a.c./d.c. all voltages up to 250 V
- Enclosure: Up to IP65
- Ambient temperature: Up to 90 °C / 194 °F

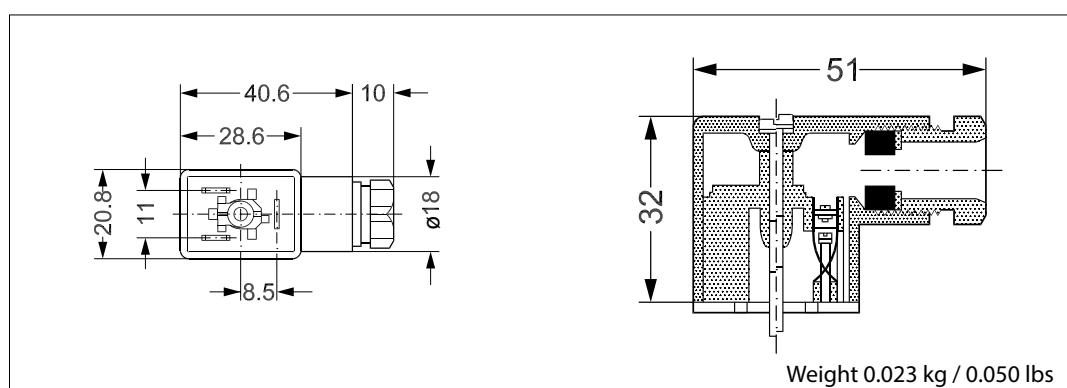
Industrial plug size	Description	Suitable for coil types	Code no.
DIN 11	Cable plug for 6.3 x 0.8 mm spade connectors	AB, AC	042N0139

Technical data



Type	GM 209 J (Black)	
Design	DIN 43650-B	
Cable gland	PG 9	
Poles	2 + PE	
Max. voltage	250 V a.c./d.c.	
Approvals		
Protection class	IP65 (IEC 60529)	
Max. operating current	16 A	
Contact resistance	< 10m Ω	
Cable diameter	ø4.5 – 7 mm	
Wire cross section	Max. 1.5 mm ²	
Ambient temperature	-30 – 90 °C / -22 – 194 °F	
Materials	Contacts:	CuSn (Tin plated)
	Terminal block:	PA 6 GF
	Flat gasket:	NBR
	Housing:	PA 6 GF

Dimensions and weight



Cable plug (LED + Varistor)

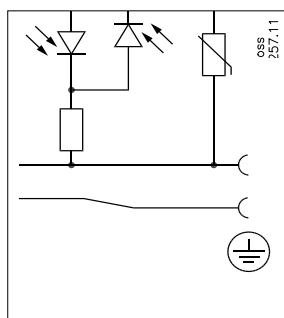


- For use with Danfoss coils type AM, AK, AL, BA, BD, BB and BY
- 24 V a.c./d.c. and 230 V a.c. version
- Enclosure: Up to IP65
- Ambient temperature: Up to 60 °C / 140 °F
- DIN 18

Cable plug size	Voltage	Suitable for coil types	LED color	Built-in VDR ¹⁾ resistor	Code no.
DIN 18	24 V a.c./d.c.	AM, AL, BA, BB, BD, BY	Red	Yes	042N0263
DIN 18	230 V a.c.	AM, AL, BA, BB, BD, BY	Red	Yes	042N0265

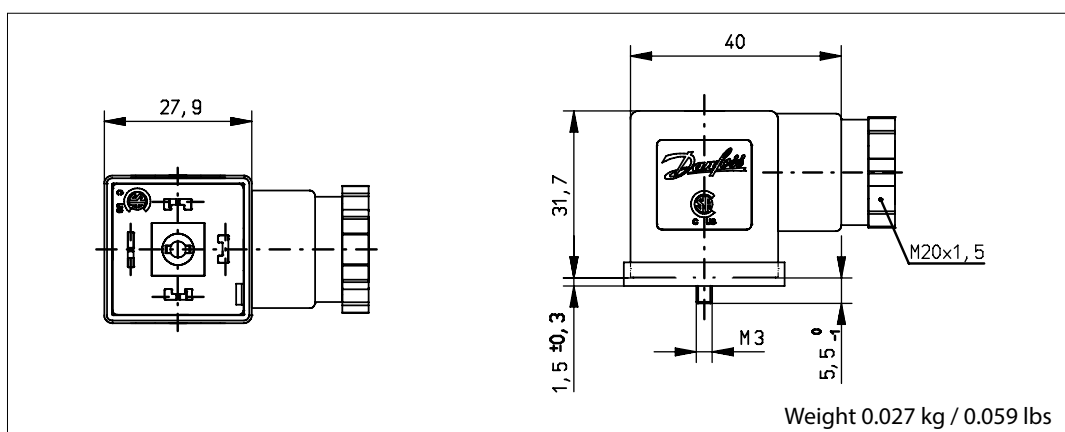
¹⁾ Protects against voltage peaks

Technical data



Design	EN 175301-803 A	
Supply voltage tolerance	± 10%	
Power consumption	Max. 5 mA	
Protection class	IP65 (IEC 60529)	
Max. operating current	1.5 A clamping contact	
Contact resistance	≤ 4m Ω	
Protection against wrong polarity	Yes	
Cable diameter	6 – 8 mm and 8 – 10 mm	
Wire cross section	Max. 1.5 mm ²	
Ambient temperature	-25 – 60 °C / -13 – 140 °F	
Materials	Contacts:	CuZn, Cu/Sn-plated
	Terminal block:	PA6 + 30% FG, black
	Flat gasket:	NBR LABS-free
	Housing:	PA6
	Wire holder:	PA6.6 + 50% FG P7,5 black

Dimensions and weight



Industrial plug (LED + Varistor)

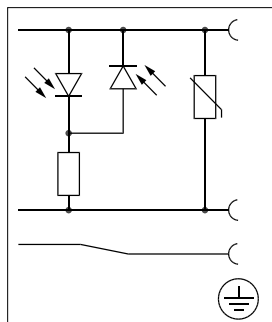


- For use with Danfoss coils type AB and AC
- 24 V a.c./d.c. and 230 V a.c. version
- Enclosure: Up to IP65
- Ambient temperature: Up to 60 °C / 140 °F

Industrial plug size	Voltage	Suitable for coil types	LED color	Built-in VDR ¹⁾ resistor	Code no.
DIN 11	24 V a.c./d.c.	AB, AC	Red	Yes	042N0267
DIN 11	230 V a.c.	AB, AC	Red	Yes	042N0265

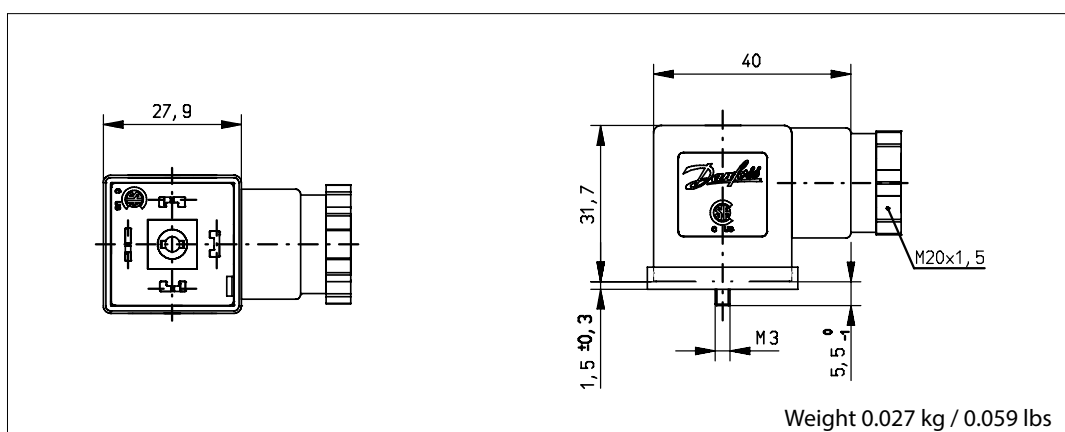
¹⁾ Protects against voltage peaks

Technical data



Design	Industrial form	
Supply voltage tolerance	± 10%	
Power consumption	Max. 5 mA	
Protection class	IP65 (IEC 60529)	
Max. operating current	1.5 A clamping contact	
Contact resistance	≤ 4m Ω	
Protection against wrong polarity	Yes	
Cable diameter	5 – 6 mm and 6 – 9 mm	
Wire cross section	Max. 1 mm ²	
Ambient temperature	-25 – 60 °C / -13 – 140 °F	
Materials	Contacts:	CuZn, Cu/Sn-plated
	Terminal block:	PA6 + 30% FG, black
	Flat gasket:	NBR LABS-fre
	Housing:	PA6
	Wire holder:	PA6.6 + 50% FG P7,5 black

Dimensions and weight



**Universal electronic multi-timer
Type ET 20 M**



- Outside adjustments
- Light weight and small size
- External adjustable timing from 1 minute to 45 minutes with 1 to 15 seconds drain open
- One solid state timer fits all coil voltages from 24-240 V a.c.
- Light diodes for indication
- All in one unit
- Manual override (test button).

Type	Voltage [V]	Suitable for coil types	Code no.
BA024A	24 – 240 a.c.	AM, BA, BD, BB	042N0185

Technical data

Type	ET 20 M
Voltage	24 – 240 V a.c. / 50 – 60 Hz
Power rating	Max. 20 W
Enclosure	IP00, IP65 with cable plug
Electrical connection	DIN connector (DIN 43650-A)
Ambient operating temperature range	-10 – 50 °C / -50 - 120 °F
Function	Start with pulse
Interval timer	0 – 45 min.
“On” timer	0 – 15 sec.

Dimensions and weight

